

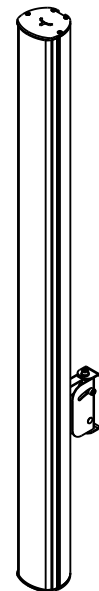
# C162

## Presentation:

The 2<sup>nd</sup> generation of PURE series family elements was designed to meet the highest demands for speech intelligibility and visual appearance. This new range of column speakers is built in a lightweight and elegant AL profile especially designed to deliver excellent voice quality/reproduction for its use in many different applications.

All C402, C802 and C162 models incorporate a vertical array of 2" FR transducers (0.75in VC) with Neodymium magnet and rubber surround that assure linearity and consistent power handling. The cone is made of weather proof treated paper. There is built-in internal passive crossover (low impedance) designed to deliver neutral and natural sound and a 100V line transformer (high impedance) that can be easily selected on the rear panel through a switch. The input is made of a 4-pin (in/out) Phoenix Euroblock speaker terminal parallel-connected for an easy and flexible installation regardless the surroundings.

This speaker's slim and unobtrusive design can be matched with the IB8/IB12/IB15 subwoofers acting like a supplement in PA installations to complete the existing sound with a deep and extended low frequency response. There is a wall mount bracket and a 2-axis adjustable support - WSI23. Especially designed to give top quality reproduction of both, speech and music, this range of speakers is the perfect solution for all kind of public address installations such as conference rooms, churches, railway stations, supermarkets, shopping centers, etc.



## Features:

- Public address installation speaker
- Ultra slim and elegant AL profile
- 16x 2" FR (0.75in VC) Neodymium transducers
- Euroblock speaker terminals
- Suitable for 8ohm low & 100V high impedance installations
- Input impedance can be selected on the rear panel
- Solid and elegant aluminum construction
- Custom perforated metal grille
- Textured powder coating finishing
- Wall mount bracket available, 2-axis adjustable

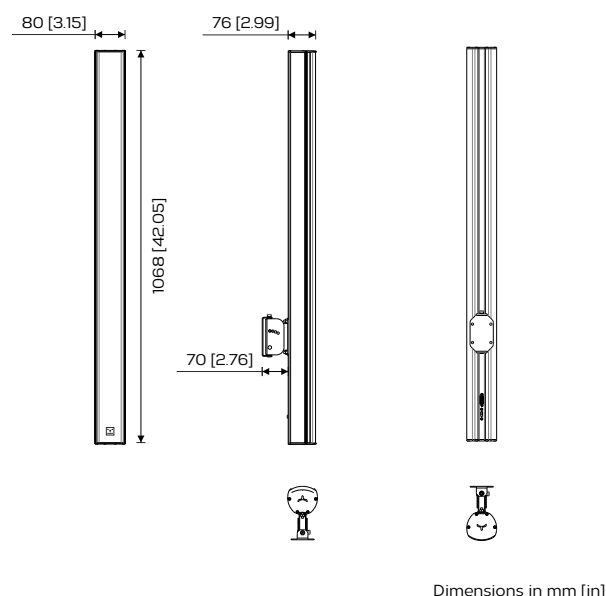
## Technical specifications:

### Acoustical

Type	Public address column speaker
Enclosure design	Bass reflex
Power rating	280W / 400W / 540W (RMS/Program/Peak)
Frequency range	170Hz - 19kHz (-6dB)
Nominal impedance	8ohm low impedance, Black (-) / Blue (+) 100V high impedance, Yellow (-) / Green (+) User-selectable
Transducer type	16x 2" FR (0.75in VC) Neodymium transducers
Dispersion	120°x60° (HxV)
SPL (1W/1kHz)	124dB
Connector	Euroblock terminal in/out

### Mechanical

Enclosure	Extruded aluminium profile, textured powder coating
Grille	Custom perforated metal grille w/ acoustic film
Color	Black or white textured
C162WX	IP54 rated version - Stainless components
Hardware	Special protective film on the grille Supplied with "L" brackets WSI23, 2-axis adjustable bracket available
Dimensions	80x76x1068mm   3.15x2.99x42.05in
Weight	5Kg   11.02lb



Dimensions in mm [in]