

BM -112 / BM -113

BM series Boundary Microphone



01 Product Features

- Excellent RF shielding effect, effectively isolating RF interference.
- BM-113 cardioid polar pattern, BM-112 Omni-directional polar pattern.
- High gain before feedback.
- Flat and wide frequency response.
- High-quality speech reproduction.
- Flexible gooseneck design, optimal angle positioning.
- Concealed design.
- For fixed or suspended ceiling installation.
- Standard installation or embedded installation.

02 Application

The BM series microphones are specially designed for ceiling installation.

The BM series has two models to choose. The BM-113 has a flexible short gooseneck, suitable for lower ceiling installations. BM-112 Boundary Microphone is specially designed for ceiling or desktop fixed installation, round table discussion and amplification, and where you need to hide the microphone.

BM-113 and BM-112 are widely used in telephone/video conferences, choir performances, remote learning and any applications that require high-quality voice or music replay/recording. All microphones have a good RF shielding effect, which can effectively isolate RF interference from various wireless communication equipment. (such as mobile phones)

03 Accessories and installation

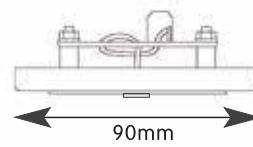
Gooseneck condenser microphone, white, install in a standard mounting socket on the ceiling. (embedded installation)
90mm×86mm

04 Specifications

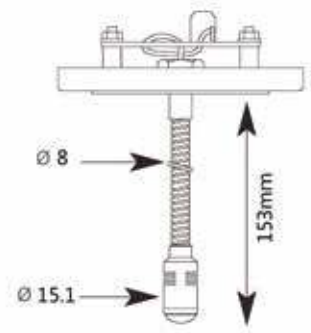
Capsule Type: Condenser cardioid polar pattern
High Pass filter: 100Hz, 18dB/octave
Frequency Response: 35Hz-18KHz
Sensitivity: -32dB, 1V@1Pa
Output Impedance: 200Ω
Max. Input Sound Level: 130dB, 1KHz@1%T.H.D.
Dynamic Range (typical): 110dB, 1KHz at highest sound level
S/N: >68dB, 1KHz@1Pa
Phantom Supply: DC12-52V
Current Consumption: 20mA (BM-113 Typical) 8mA (BM-112 Typical)
Output Connector: 3P fast connector
The best sound pick-up distance: 10-20cm
Dimension(mm): BM-113 90(L)×86(W)×153(H) BM-112 90(L)×86(W)×35(H)
Weight: BM-113 95g BM-112 95g
Colour: White

05 Outline Dimension

BM-112



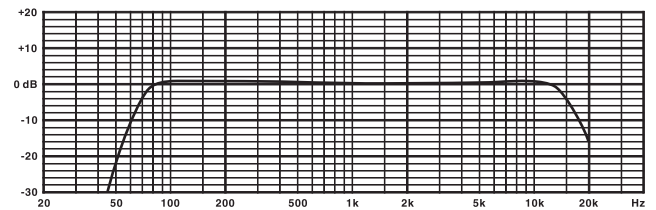
BM-113



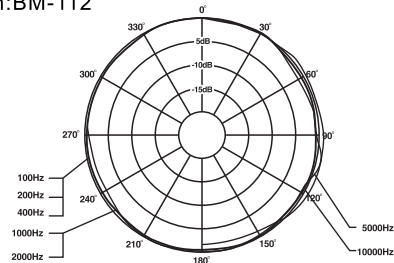
06 Frequency Response & Polar Pattern

Below is BM-112 / BM-113 frequency response curve (measurement error ±2.5dB) and directivity characteristics.

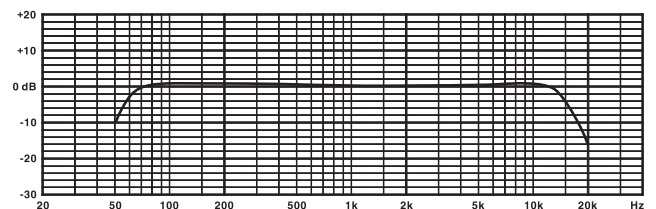
Frequency Response: BM-112 0dB=18mV/Pa



Polar Pattern: BM-112



Frequency Response: BM-113 0dB=18mV/Pa



Polar Pattern: BM-113

