

LOOP

Presentation:

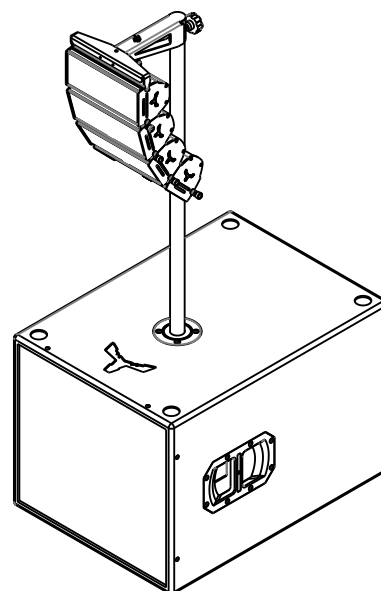
LOOP probably is one of the most surprising and representative member of the new generation of active LA compact systems developed to deliver premium performance.

The systems comprises an active 18" subwoofer equipped with a 4in VC high performance, long excursion woofer, working together with a set of four very small and compact array elements - LOOP23 - that feature a combination of 2x 3" FR EU transducers and a 1" HF driver. The result is just surprising

The latest in Class D amplifier technology is incorporated with a 2-channel Class D amplifier ensuring ultra-quiet, highly efficient and low distortion output enhanced by a DSP for real time operation and 4 user-selectable presets according to different environments and music styles providing an acoustically perfect transition between the subwoofer and the mid/high array assembly. The class D amplifier is prepared for 85-264Vac global mains voltage (SMPS with PFC) and features various electronic protections to guarantee the use of the speaker system in safe operation.

Each LOOP23 enclosure comes with an integrated steel rigging flyware to couple with two metal frames: one to fly or pole mount ($\varnothing 35\text{mm}$) vertically and another to fly the tops horizontally to use as a constant curvature array.

With high quality components and amplifier, this new LOOP systems is just surprising. It achieves extremely high performance with tight, rock-solid low end, with smooth, detailed highs and a well-defined midrange making this system the ultimate in "all-in-one" complete and convenient "plug-n-play" PA system solution for a wide range of applications.



Features:

- Compact self-powered line array system
- Suited for small to medium size venues
- 18" (4in VC) LF active subwoofer
- 2x 3" (0.75in VC) MF rubber surround woofer
- 1" (0.98in VC) HF driver, LOOP23 passive satellite
- Subwoofer driven by a 2ch Class D amplifier
- Built-in DSP with 4 selectable presets
- Universal 85-264Vac mains supply
- Prepared for pole mount configuration
- Rugged and durable polyurea coating
- Great flexibility in shaping array curvature

Technical specifications:

Acoustical		Mechanical	
Type	Active line array system	Enclosure	18mm birch plywood [LOOP18] Extruded AL profile [LOOP23] Rugged polyurea coating
Enclosure design	Bass reflex [LOOP18] Sealed [LOOP23]	Grille	Custom perforated metal grilles w/ acoustic foam
Power rating (RMS/Peak)	1200W / 4800W [LOOP18] 70W / 200W [LOOP23]	Color	Black or white textured
Frequency range	38Hz - 20kHz (-6dB)	Hardware	4 rubber feet, 2 side handles [LOOP18] Integrated steel rigging flyware [LOOP23] FL-LOOP, flying frame
Nominal impedance	N/A	Dimensions (WxDxH)	540x740x500mm / 21.26x29.13x19.69in [LOOP18] 245x125x105mm / 9.65x4.13x4.92in [LOOP23]
Transducer type	18" (4in VC) LF woofer [LOOP18] 2x 3" (0.75in VC) MF woofer [LOOP23] 1" (0.98in VC) HF driver [LOOP23] EU transducers	Weight	59Kg / 130.07lb [LOOP18] 3Kg / 6.61lb [LOOP23]
Dispersion	80° conical Array splay dependant vertical coverage		
Crossover frequency	DSP controlled with selectable presets 48KHz sampling frequency 24 bit AD/DA converter		
SPL (1W/1kHz)	133dB @ 1m		

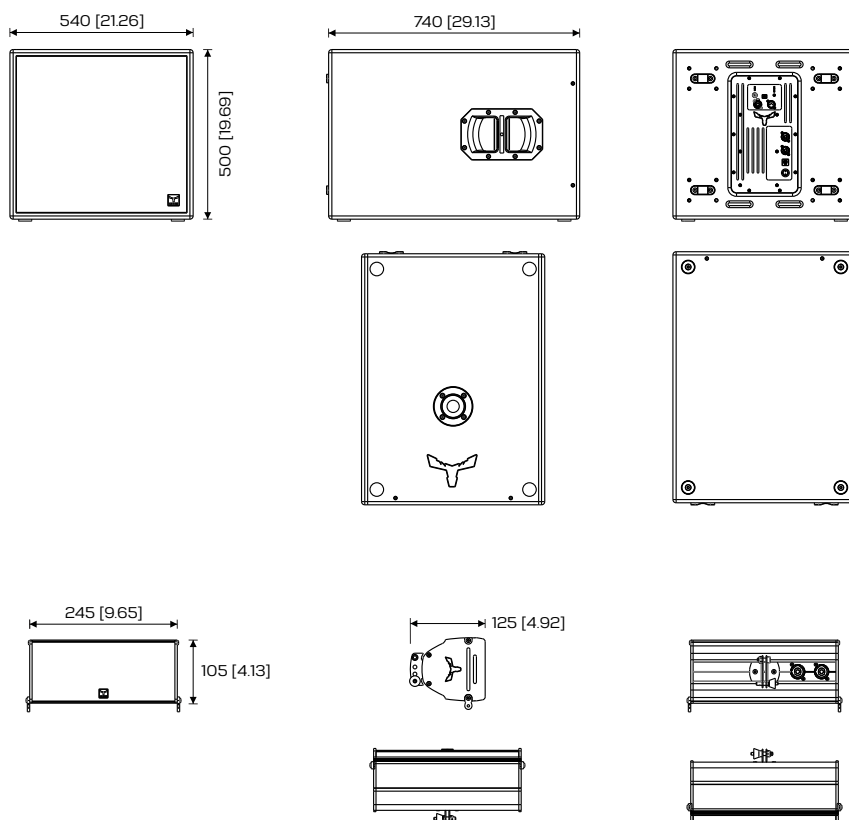


Technical specifications:

Amplifier Module

Type	Two channel Class D
Output Power	1600W + 1100W Expandable system
Internal Processing	Fully programmable DSP 48KHz sampling frequency 24 bit AD/DA converter
Audio input/output	XLR/Jack combo connector XLR/M 3p, NL4 out for tops
Cooling	Cooling by convection
Indicators	Power, signal/preset, status, clip
Controls	Master level control, 4 selectable presets
AC Mains	SMPS with PFC, 85-264Vac universal mains
AC Mains connector	Neutrik® powerCON, Power-in/Power-out
Protections	Over current, short circuit, thermal, DC and HF

Dimensions:



Dimensions in mm [in]